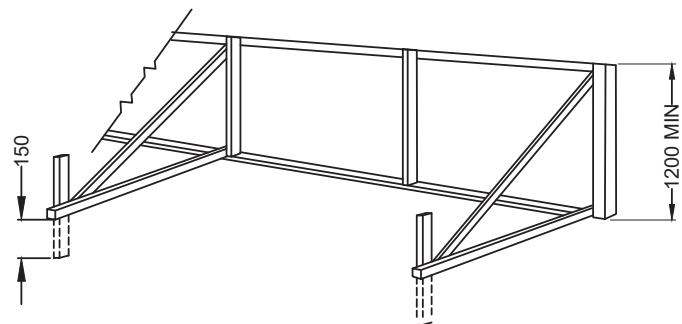


TABLE 1: TREE PRESERVATION ZONE

DBH (Diameter at Breast Height) Trunk Diameter (cm)	Minimum Protection Zone (TPZ) Distance Required (m)
less than 10	1.2
10 - 29	1.8
30 - 40	2.4
41 - 50	3.0
51 - 60	3.6
61 - 70	4.2
71 - 80	4.8
81 - 90	5.4
91 - 100	6.0
> 100	6cm / 1cm dia.

* measurement of DBH taken at 1.4m above grade
 * TPZ distances measured from outside edge of trunk flare

FENCE CONSTRUCTION



* all connection points to be rigid
 ** all supporting stakes and hoarding posts to be wood 50mm x 100mm members
 *** dashed line represent below grade

NOTES:

1. ALL DIMENSIONS IN MILLIMETERS UNLESS OTHERWISE NOTED
2. ALL PROTECTIVE FENCING TO BE LOCATED AS DIRECTED BY I.S.A CERTIFIED ARBORIST
3. TPZ FENCING SHALL NOT BE ATTACHED TO TREES
4. ALL TREE PROTECTION SHALL BE IN PLACE AND MUST BE INSPECTED AND APPROVED BY THE TOWN PRIOR TO ANY CONSTRUCTION ACTIVITIES, AND REMAIN IN PLACE UNTIL ALL CONSTRUCTION ACTIVITIES HAVE CONCLUDED, OR AS DIRECTED BY THE CONSULTING ARBORIST
5. NO CONSTRUCTION ACTIVITY, MATERIAL STORAGE, GRADE CHANGES, SURFACE TREATMENT OR EXCAVATIONS OF ANY KIND IS PERMITTED WITHIN THE TREE PROTECTION ZONE
6. REFER TO TREE INVENTORY & PRESERVATION PLAN FOR REQUIRED FENCING TYPE
7. REFER TO TOWN OF WHITBY STANDARD #702 FOR GENERAL TREE PROTECTION NOTES

THE CORPORATION OF THE TOWN OF WHITBY

PLANNING & DEVELOPMENT DEPARTMENT

CHECKED: *[Signature]*
 APPROVED: *[Signature]*
 SCALE: N.T.S

HEAVY DUTY TREE PRESERVATION FENCE

DWG. DATE: JANUARY 2021
 REVISION No.: 002
 REVISION DATE: MAY, 2022
 DWG No. 701